

INSTALLATION INSTRUCTIONS

KIT/SATZ/SÆTTET

87522725 - 87335398

APPROXIMATE INSTALLATION TIME - 3.5 hours

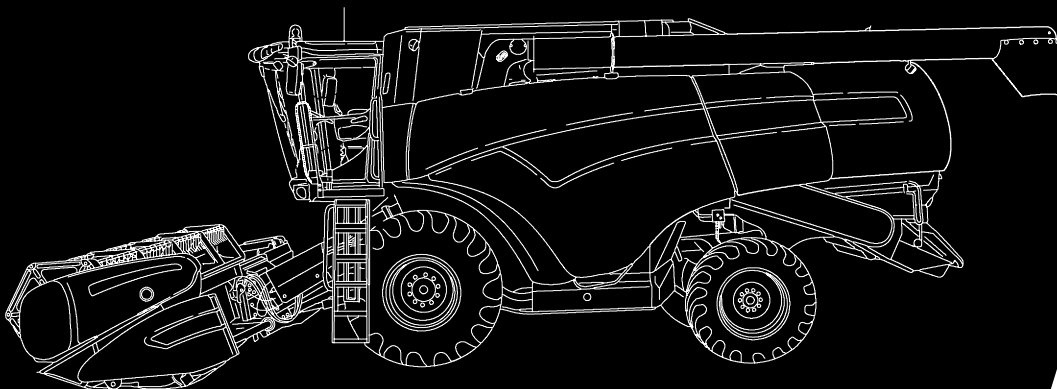
EDGE GUIDANCE SENSOR MOUNTING KIT

NEW HOLLAND

CX8000 Series Combines

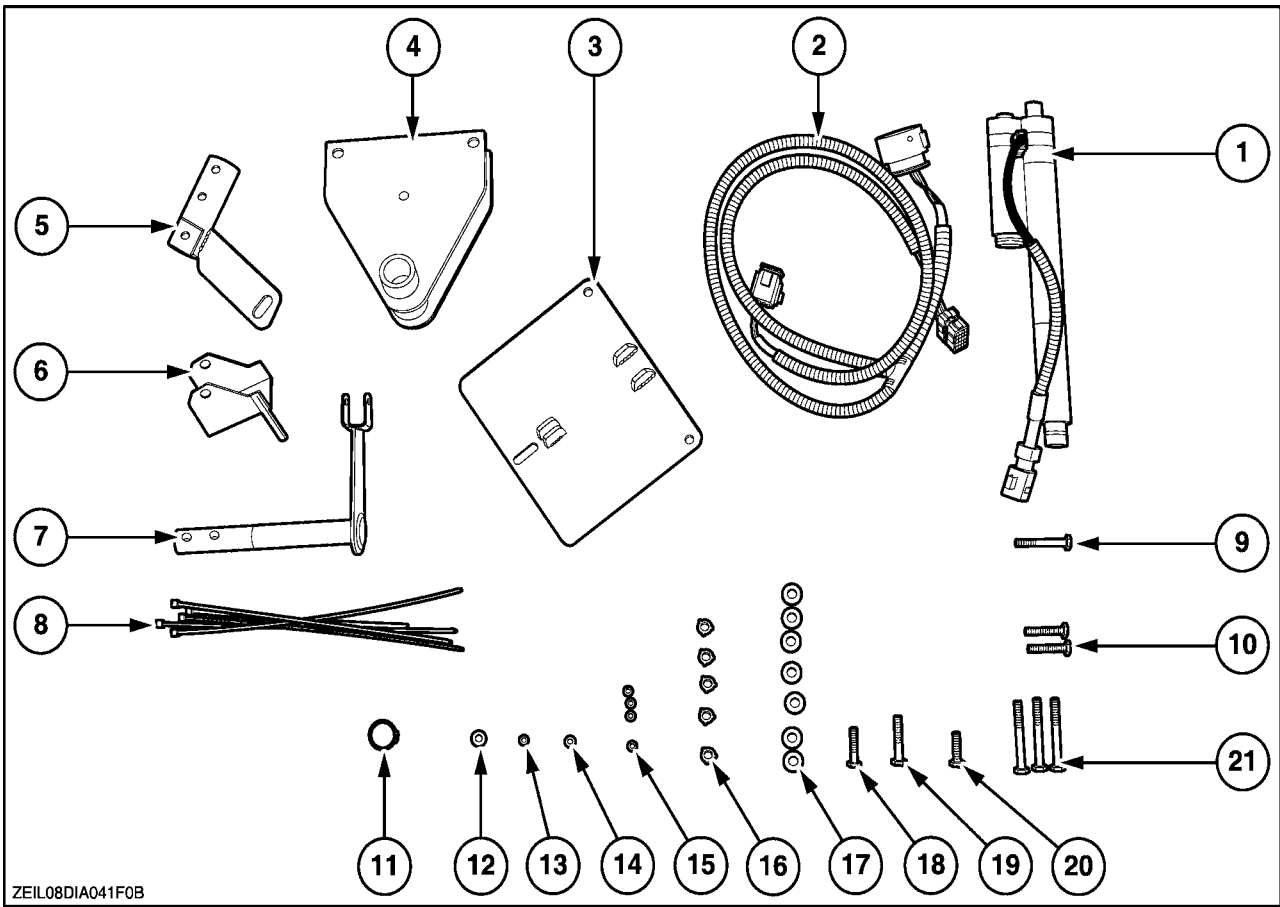
CR9000 Series Combines

CR9000 Elevation Series Combines



NEWHOLLAND

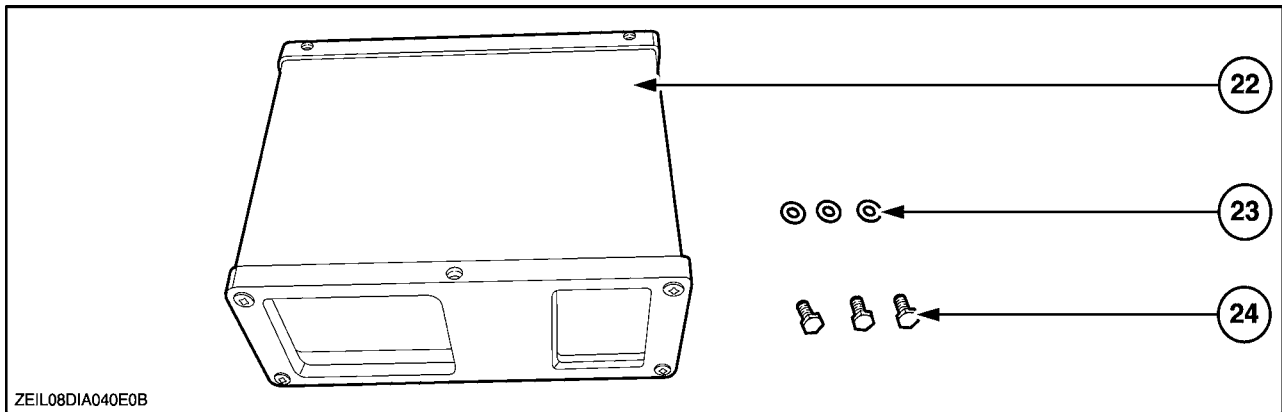
CONTENT OF THE KIT NO. 87522725



ZEIL08DIA041F08

No.	Description	Quantity
1	Actuator	1
2	Wiring harness	1
3	Bracket	1
4	Pivot bracket	1
5	Support	1
6	Pivot	1
7	Pivot arm	1
8	Strap	5
9	Bolt 1/4" x 1.25"	1
10	Bolt M8 x 35	2
11	Retaining ring 25 x 1.2	1
12	Lock washer M6	1
13	Lock nut 1/4"	1
14	Lock nut M6	1
15	Nut M6	4
16	Nut M8	5
17	Lock washer M8	7
18	Bolt M8 x 40	1
19	Bolt M6 x 50	1
20	Bolt M8 x 25	1
21	Bolt M8 x 60	3

CONTENT OF THE KIT NO. 87335398



2

No.	Description	Quantity
22	Edge detection sensor	1
23	Bolt M6 x 12	3
24	Lock washer M6	3

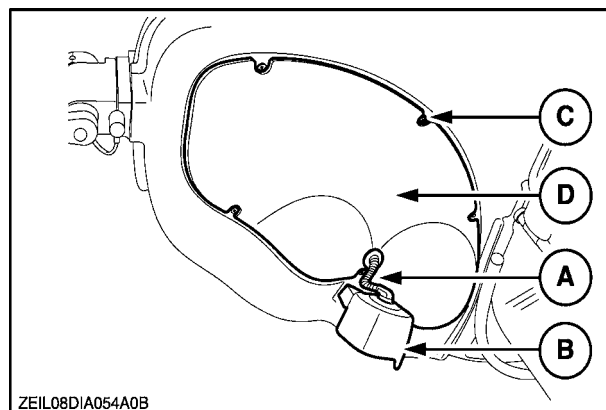
Before installing the kit

- Park the combine on a level floor.
- Stop the engine.
- Remove the key from the keyswitch.
- Switch off the battery switch.

NOTE: Refer to the Operator's Manual of your combine.

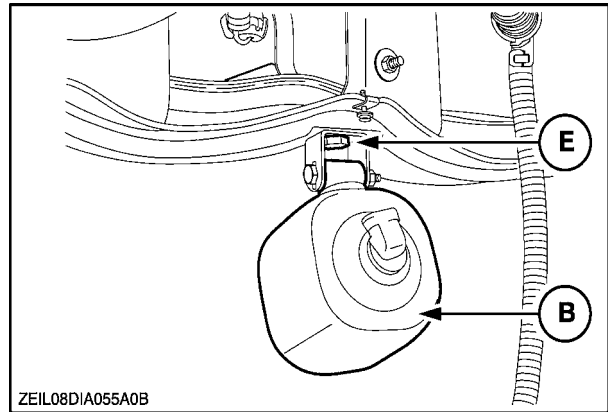
Adaptation of the cab cover

1. Remove the connector (A) of the existing wiring harness from the light (B).
2. Remove the six screws (C) and the cover (D), keep for further use.



3

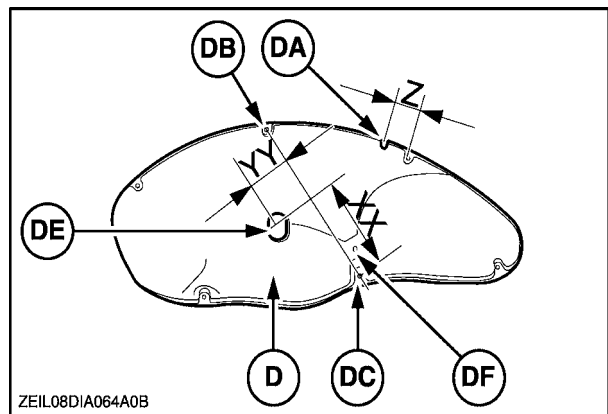
3. Remove the hardware (E), the light (B) and keep it for further use.



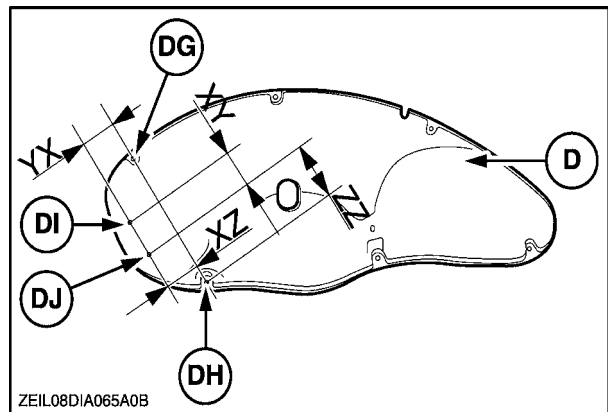
4

Adaptation of the cover (D)

4. Measure distance: $Z = 52$ mm
5. At DA, make a slot with a slot of 7.5 mm about 18 mm deep.
6. Draw a line between the holes DB and DC.
7. Measure distance: $XX = 144$ mm
8. Measure distance: $YY = 75$ mm
9. At DE, drill a hole, diameter 30 mm.
10. Plug the hole DF.
11. Draw a line between the holes DG and DH.
12. Measure distance: $ZZ = 70$ mm
13. Measure distance: $XY = 41$ mm
14. Measure distance: $XZ = 43$ mm
15. Measure distance: $YX = 46$ mm
16. At DJ, drill a hole, diameter 11 mm.
17. At DI, drill a hole, diameter 15 mm.

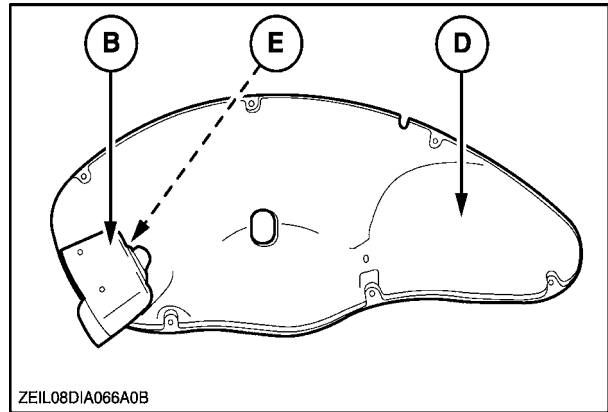


5



6

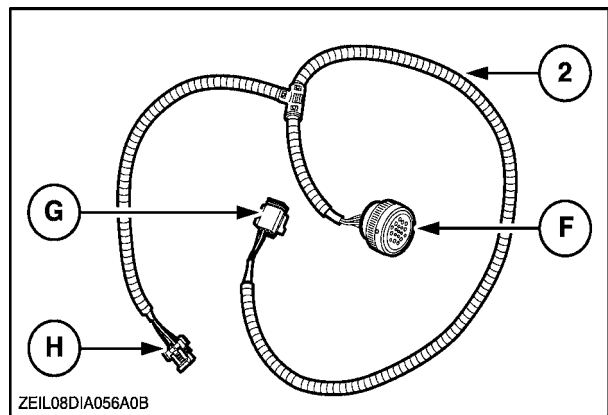
18. Install the light (B) on the cover (D) with the hardware (E).



7

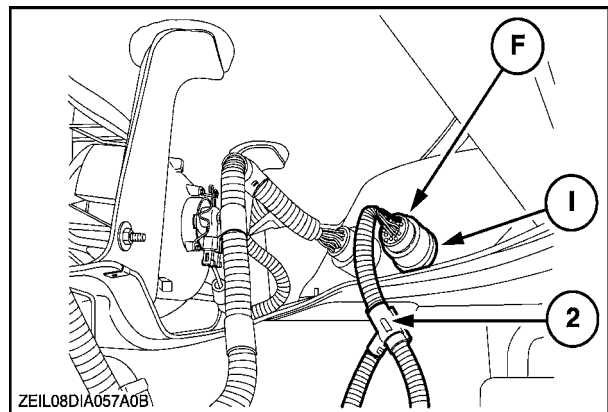
Actuator

Wiring harness (2) with connectors.



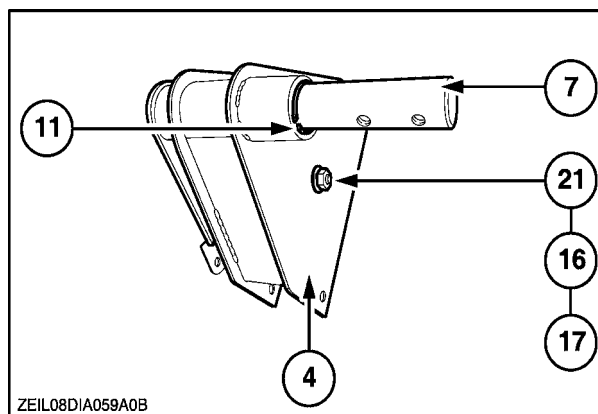
8

1. Connect the connector (F) of the wiring harness (2) on the existing connector (I) in the cab roof.



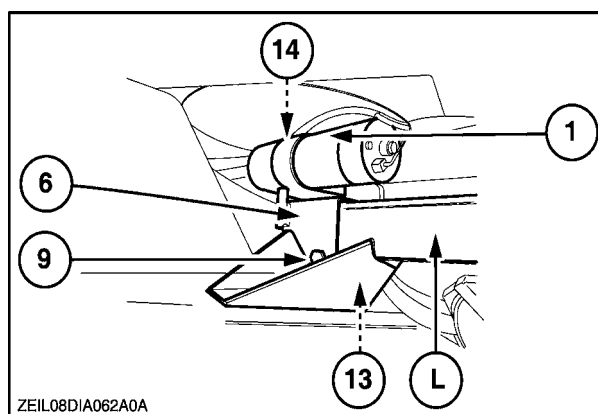
9

2. Install the pivot arm (7) to the pivot bracket (4).
3. Secure with the retaining ring (11).
4. Install the bolt (21), the lock washer (17) and the nut (16). Do not tighten yet.



10

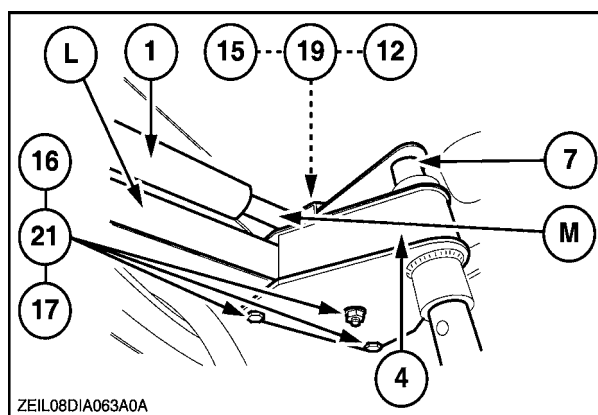
5. Install the pivot (6) on the cross beam (L), with the bolt (9) and the lock nut (13). Do not tighten yet.
6. Install the actuator (1) with the motor side on the pivot (6). Secure with the lock nut (14) so that the actuator can swing freely, but not move up and down.



11

7. Install the assembly pivot bracket (4) and pivot arm (7) on the cross beam (L) with the bolts (21), the lock washers (17) and the nuts (16). Do not tighten yet.
8. Install the rod (M) of the actuator (1) on the pivot arm (7) with the bolt (19), the lock washer (12) and the nut (15).

NOTE: Install the bolts (21) with the head on the upper side.



12

9. Adjust the position of the pivot bracket (4).

Distance YZ = 230 mm

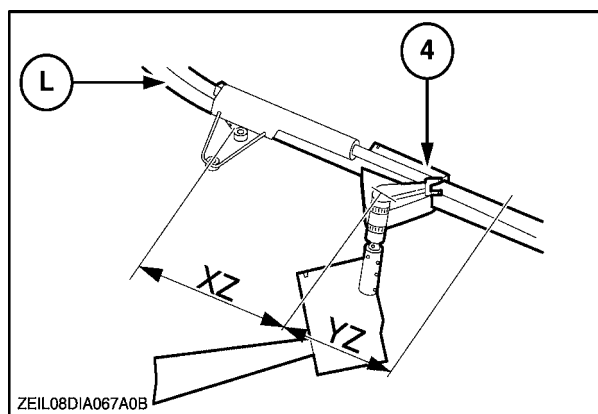
NOTE: Check with the hole (DE) (see fig. 5).

10. Tighten the hardware.

11. Adjust the position of the pivot (6) (see Fig. 11).

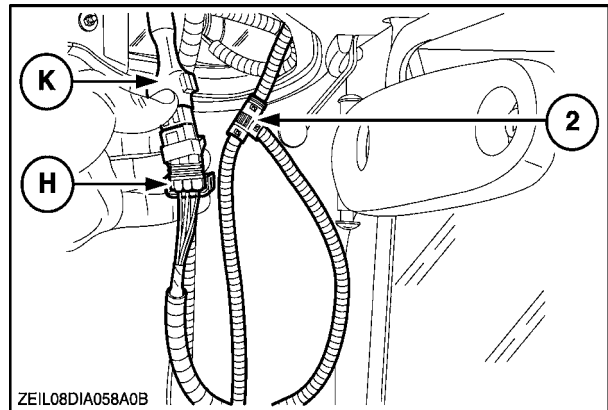
Distance XZ is between 350 and 380 mm.

12. Tighten the hardware.



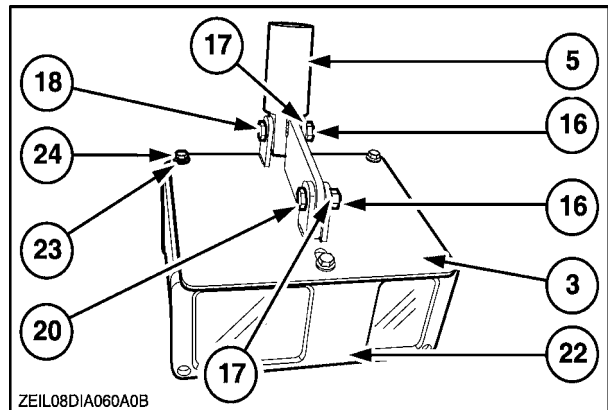
13

13. Connect the connector (H) of the wiring harness (2) to the existing connector (K) in the cab roof.



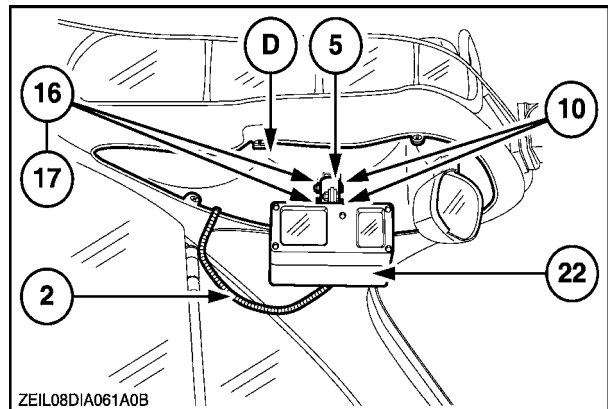
14

14. Install the support (5) to the bracket (3) with the bolt (18), the bolt (20) the lock washers (17) and the nuts (16).
15. Install the edge detection sensor (22) to the bracket (3) with the three bolts (23) and lock washers (24).



15

16. Install the assembly modified cover (D) and the light to the cab roof. Reconnect the light.
17. Install the assembly edge detection sensor (22) and support (5) with the bolts (10), lock washers (17) and nuts (16).
18. Connect the connector (G) (see fig. 8) of the wiring harness (2) to the connector in the back of the edge detection sensor (22).



16

NOTE: For adjustment and calibration refer to the Operator's Manual of your combine.



NEWHOLLAND

Your success – Our specialty

Printed in France

**Print No. 87656352
04/08**