

**star bulletin**

Date: March 16, 2006
Order No.: P-B-27.50/59a
Supersedes: P-B-27.50/59 dated October 13, 2005
Group: 27

Revision:

**SUBJECT: Model 203.052/054/056
Equipped with 7G-Tronic Transmission (NAG2)
Transmission in Limp Home Mode with Fault Codes 2200, 2201, 2767 and 2768**

If you receive customer reports in the above model vehicles of the transmission being in limp home mode with fault codes 2200, 2201, 2767 and 2768, the condition can be related to an unfavorable production tolerance of the speed sensor ring of the K1 shift member.

In such cases, the flange (Figure 1, call-out 164) should be replaced to resolve. Follow the work procedures outlined in WIS Document [AR27.51-P-0800W](#) (Dismantling and Assembling clutch K1) as well as the other associated documents.

i Note: This work procedure only applies to the above fault codes and to transmissions with a production range of 7229xx 00 327088 to 7229xx 00 338693. For transmissions outside of the given production range, replace the electro-hydraulic control unit only. Refer to EPC for the specific application / part number.

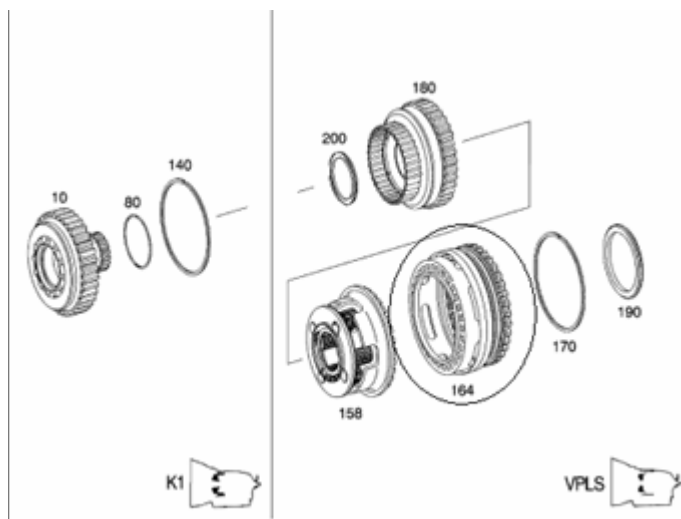


Figure 1

P-B-27.50/59

****Parts are in a critical supply situation and will be limited, please see the PAC weekly status report on parts availability status and delivery expectations. This report is located on the PAC website.**

i Note: The following allowable labor operations should be used when submitting a warranty claim for this repair.

In Case of Warranty			
Operation: Short test, perform (54-1011) Automatic transmission (vehicle with 722.9 trans.), R&R (27-2029) A/Tran (722.6) K1/K2/K3/B1/B2/B3/Frewhl, D&A/replace pars as required (transmission removed) (27-9999) Valve body (electro-hydr.) (722.6 & 722.9), R&			
Damage Code	Operation Number	Time (hrs.)	Model Indicator (s)
D&A of Clutch K1 – 27182 20	54 1011	0.3 hrs.	M1, M2, N1, Q6, Q7, Q9, R1, S2, S5, S7, S8, T2, T7, U6, X1, X2, X3, Y1
	27 2029	4.0 hrs.	Y1
		4.1 hrs.	T7, U6
		4.2 hrs.	T2
		4.6 hrs.	S2, S5, S7, S8
		4.8 hrs.	X1, X3

		5.2 hrs.	Q6, Q7, Q9
		5.3 hrs.	M1, M2
		5.4 hrs.	N1
		5.5 hrs.	X2
		6.3 hrs.	R1
	27 9999	3.3 hrs.	M1, M2, N1, Q6, Q7, Q9, R1, S2, S5, S7, S8, T2, T7, U6, X1, X2, X3, Y1
Trans. out of given range 27401 52	54 1011	0.3 hrs.	M1, M2, N1, Q6, Q7, Q9, R1, S2, S5, S7, S8, T2, T7, U6, X1, X2, X3, Y1
	27 4982	1.0 hrs. *	M1, M2, N1, Q6, Q7, Q9, R1, S2, S5, S7, S8, T2, T7, U6, X1, X2, X3, Y1

* Maximum time allowed with a separate time punch.