

ZAXIS
350LC-5

■ 202 kW (271 hp)



HITACHI

ZAXIS 350LC-5

ENGINE

Manufacturer and Model	Isuzu 6HK1XYSA-S2
Non-Road Emissions Standard	EPA Interim Tier 4/EU Stage IIIB
Net Rated Power (ISO 9249)	202 kW (271 hp) at 1,900 rpm
Cylinders	6
Displacement	7.79 L (475 cu. in.)
Off-Level Capacity	70% (35 deg.)
Aspiration	Turbocharged, air-to-air charge-air cooler

COOLING

Direct-driven, high-efficiency, low-noise, suction-type fan

POWERTRAIN

2-speed propel with automatic shift

Maximum Travel Speed

Low	3.2 km/h (2.0 mph)
High	5.0 km/h (3.1 mph)
Drawbar Pull	29 200 kg (64,375 lb.)

HYDRAULICS

Open center, load sensing

Main Pumps 2 variable-displacement pumps

Maximum Rated Flow 288 L/m (76.1 gpm) x 2

Pilot Pump One gear

Maximum Rated Flow 34 L/m (8.9 gpm)

Pressure Setting..... 3900 kPa (566 psi)

System Operating Pressure

Circuits

Implement..... 34 300 kPa (4,975 psi)

Travel..... 35 500 kPa (5,149 psi)

Swing..... 33 300 kPa (4,830 psi)

Power Boost..... 38 000 kPa (5,511 psi)

Controls Pilot levers, short stroke, low-effort hydraulic pilot controls with shutoff lever

CYLINDERS

	Bore	Rod Diameter	Stroke
Boom (2)	145 mm (5.7 in.)	100 mm (3.9 in.)	1520 mm (59.8 in.)
Arm (1)	170 mm (6.7 in.)	115 mm (4.5 in.)	1740 mm (68.5 in.)
Bucket (1)	140 mm (5.5 in.)	95 mm (3.7 in.)	1250 mm (49.2 in.)

ELECTRICAL

Number of Batteries (12 volt)..... 2

Battery Capacity..... 1,400 CCA

Alternator Rating..... 50 amp

Work Lights..... 2 halogen (one mounted on boom, one on frame)

UNDERCARRIAGE

Rollers (each side)

Carrier..... 2

Track..... 8

Shoes, Triple Semi-Grousers (each side)..... 48

Track

Adjustment..... Hydraulic

Guides..... Front, center, and rear

Chain..... Sealed and lubricated

ZAXIS 350LC-5

GROUND PRESSURE

800-mm (32 in.) Triple Semi-Grouser Shoes..... 52.6 kPa (7.63 psi)

SWING MECHANISM

Speed 10.7 rpm
Torque..... 120 000 Nm (88,507 lb.-ft.)

SERVICEABILITY

Refill Capacities

Fuel Tank..... 630 L (166 gal.)
Cooling System 40 L (11 gal.)
Engine Oil with Filter..... 48 L (13 gal.)
Hydraulic Tank..... 180 L (48 gal.)
Hydraulic System..... 290 L (77 gal.)
Swing Drive..... 11.8 L (12.5 qt.)
Gearbox.....
Propel (each) 8.5 L (9.0 qt.)
Pump Drive 1.1 L (1.2 qt.)

OPERATING WEIGHTS

With full fuel tank; 79-kg (175 lb.) operator; 1.76-m³ (2.3 cu. yd.), 1370-mm (54 in.), 1160-kg (2,557 lb.) bucket; 4.0-m (13 ft. 1 in.) arm; 6928-kg (15,274 lb.) counterweight; and 800-mm (32 in.) triple semi-grouser shoes

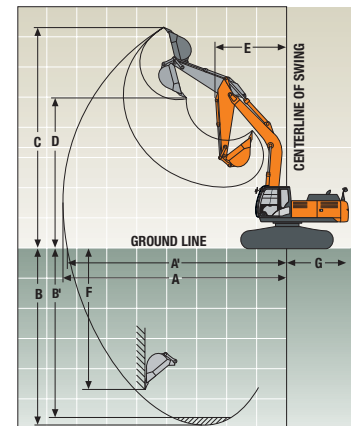
Operating Weight 34 590 kg (76,258 lb.)

Component Weights

Undercarriage with 800-mm (32 in.)
Triple Semi-Grouser Shoes 12 710 kg (28,020 lb.)
One-Piece Boom (with arm cylinder)..... 3031 kg (6,682 lb.)
Arm with Bucket Cylinder and Linkage
2.66 m (8 ft. 9 in.) 1649 kg (3,635 lb.)
3.2 m (10 ft. 6 in.) 1758 kg (3,876 lb.)
4.0 m (13 ft. 1 in.) 1898 kg (4,184 lb.)
Boom-Lift Cylinders (2), Total Weight..... 624 kg (1,376 lb.)
1.76-m³ (2.3 cu. yd.), 1370-mm (54 in.)
Heavy-Duty Bucket..... 1160 kg (2,557 lb.)
Counterweight, Standard 6928 kg (15,274 lb.)

OPERATING DIMENSIONS

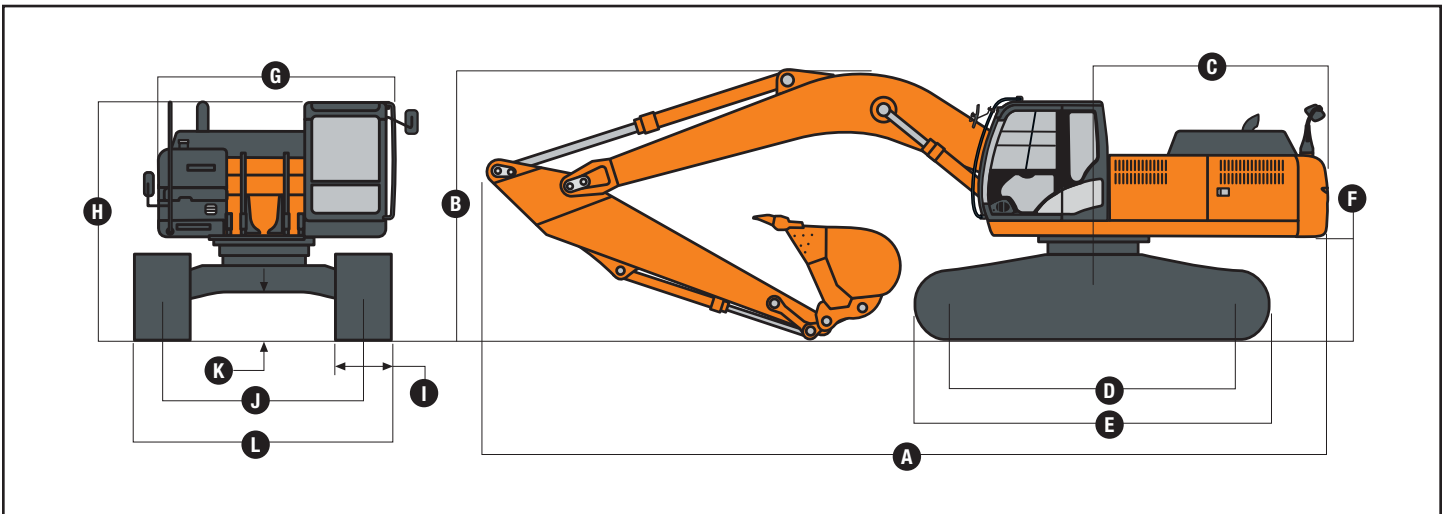
	2.66 m (8 ft. 9 in.)	3.2 m (10 ft. 6 in.)	4.0 m (13 ft. 1 in.)
Arm Length			
Arm Digging Force			
SAE 204.2 kN (45,914 lb.)	177.6 kN (39,930 lb.)	152.6 kN (34,314 lb.)	
ISO 222 kN (49,908 lb.)	185 kN (41,590 lb.)	159 kN (35,745 lb.)	
Bucket Digging Force			
SAE 225.2 kN (50,628 lb.)	225.2 kN (50,628 lb.)	225.2 kN (50,628 lb.)	
ISO 246 kN (55,303 lb.)	246 kN (55,303 lb.)	246 kN (55,303 lb.)	
Lifting Capacity Over Front at Ground			
Level 6.1-m (20 ft.) Reach (with power boost) 12 790 kg (28,197 lb.)	12 800 kg (28,219 lb.)	12 851 kg (28,331 lb.)	
A Maximum Reach 10.57 m (34 ft. 8 in.)	11.10 m (36 ft. 5 in.)	11.86 m (38 ft. 11 in.)	
A' Maximum Reach at Ground Level 10.36 m (34 ft.)	10.89 m (35 ft. 9 in.)	11.67 m (38 ft. 3 in.)	
B Maximum Digging Depth 6.84 m (22 ft. 5 in.)	7.38 m (24 ft. 3 in.)	8.18 m (26 ft. 10 in.)	
B' Maximum Digging Depth at 2.44-m (8 ft.) Flat Bottom 6.64 m (21 ft. 9 in.)	7.21 m (23 ft. 8 in.)	8.04 m (26 ft. 5 in.)	
C Maximum Cutting Height 9.99 m (32 ft. 9 in.)	10.36 m (34 ft.)	10.75 m (35 ft. 3 in.)	
D Maximum Dumping Height 6.94 m (22 ft. 9 in.)	7.24 m (23 ft. 9 in.)	7.63 m (25 ft.)	
E Minimum Swing Radius 4.61 m (15 ft. 1 in.)	4.46 m (14 ft. 8 in.)	4.47 m (14 ft. 8 in.)	
F Maximum Vertical Wall 5.51 m (18 ft. 1 in.)	6.42 m (21 ft. 1 in.)	7.27 m (23 ft. 10 in.)	
G Tail-Swing Radius 3.60 m (11 ft. 10 in.)	3.60 m (11 ft. 10 in.)	3.60 m (11 ft. 10 in.)	



ZAXIS 350LC-5

MACHINE DIMENSIONS

A Overall Length		
2.66 m (8 ft. 9 in.)	11.33 m (37 ft. 2 in.)
3.2 m (10 ft. 6 in.)	11.20 m (36 ft. 9 in.)
4.0 m (13 ft. 1 in.)	11.29 m (37 ft. 1 in.)
B Overall Height		
2.66 m (8 ft. 9 in.)	3.47 m (11 ft. 5 in.)
3.2 m (10 ft. 6 in.)	3.27 m (10 ft. 9 in.)
4.0 m (13 ft. 1 in.)	3.60 m (11 ft. 10 in.)
C Rear-End Length/Swing Radius	3.60 m (11 ft. 10 in.)
D Distance Between Idler/Sprocket Centerline	4.05 m (13 ft. 3 in.)
E Undercarriage Length	4.94 m (16 ft. 2 in.)
F Counterweight Clearance	1.18 m (3 ft. 10 in.)
G Upperstructure Width	2.99 m (9 ft. 10 in.)
H Cab Height	3.14 m (10 ft. 4 in.)
I Track Width with Triple Semi-Grouser Shoes	800 mm (32 in.)
J Gauge Width	2.59 m (8 ft. 6 in.)
K Ground Clearance	0.50 m (20 in.)
L Overall Width with Triple Semi-Grouser Shoes		
800 mm (32 in.)	3.39 m (11 ft. 2 in.)



ZAXIS 350LC-5

LIFT CAPACITIES

Boldface type indicates hydraulically limited capacity; lightface type indicates stability-limited capacities, in kg (lb.). Ratings at bucket lift hook; machine equipped with 1160-kg (2,557 lb.) bucket and 800-mm (32 in.) shoes; standard gauge; and situated on firm, uniform supporting surface. Total load includes weight of cables, hook, etc. Figures do not exceed 87 percent of hydraulic capacities or 75 percent of weight needed to tip machine. All lift capacities are based on ISO 10567.

Load Point Height	1.5 m (5 ft.)		3.0 m (10 ft.)		4.5 m (15 ft.)		6.0 m (20 ft.)		7.5 m (25 ft.)		9.0 m (30 ft.)	
	Over Front	Over Side	Over Front	Over Side	Over Front	Over Side	Over Front	Over Side	Over Front	Over Side	Over Front	Over Side
<i>Horizontal Distance from Centerline of Rotation</i>												
<i>With 2.66-m (8 ft. 9 in.) arm</i>												
6.0 m (20 ft.)							9496	9213	8705	6162		
							(20,636)	(19,803)	(19,093)	(13,179)		
4.5 m (15 ft.)					14 206	14 021	10 894	8801	9279	6021		
					(30,447)	(30,255)	(23,562)	(18,960)	(20,190)	(12,922)		
3.0 m (10 ft.)					17 742	12 827	12 506	8285	9573	5798		
					(38,067)	(27,693)	(27,011)	(17,857)	(20,571)	(12,462)		
1.5 m (5 ft.)							13 399	7868	9319	5570		
							(28,794)	(16,949)	(20,037)	(11,982)		
Ground Line					18 814	11 932	13 127	7634	9155	5423		
					(42,867)	(25,647)	(28,197)	(16,432)	(19,685)	(11,666)		
-1.5 m (-5 ft.)			12 495	12 495	18 754	11 959	13 059	7575	9117	5389		
			(28,545)	(28,545)	(40,705)	(25,693)	(28,045)	(16,301)	(19,617)	(11,605)		
-3.0 m (-10 ft.)			21 868	21 868	16 665	12 147	12 606	7679				
			(47,544)	(47,544)	(36,066)	(26,109)	(27,142)	(16,540)				
-4.5 m (-15 ft.)			16 500	16 500	12 776	12 551						
			(35,354)	(35,354)	(27,209)	(27,027)						
<i>With 3.2-m (10 ft. 6 in.) arm</i>												
6.0 m (20 ft.)									8008	6249		
									(17,528)	(13,381)		
4.5 m (15 ft.)							10 108	8940	8700	6077		
							(21,858)	(19,242)	(18,923)	(13,042)		
3.0 m (10 ft.)					16 457	13 179	11 834	8402	9604	5832	7003	4180
					(35,331)	(28,428)	(25,561)	(18,102)	(20,664)	(12,529)	(15,009)	(8936)
1.5 m (5 ft.)					19 033	12 300	13 321	7933	9338	5579	6882	4069
					(41,053)	(26,492)	(28,796)	(17,084)	(20,070)	(11,995)	(14,768)	(8714)
Ground Line					19 818	11 930	13 140	7635	9132	5395	6794	3988
					(42,912)	(25,649)	(28,219)	(16,430)	(19,628)	(11,598)	(14,592)	(8,553)
-1.5 m (-5 ft.)			11 956	11 956	19 291	11 864	13 002	7516	9042	5314		
			(27,138)	(27,138)	(41,824)	(25,490)	(27,916)	(16,168)	(19,442)	(11,431)		
-3.0 m (-10 ft.)	14 280	14 280	19 673	19 673	17 649	11 988	13 051	7558	9105	5371		
	(32,048)	(32,048)	(44,674)	(44,674)	(38,194)	(25,762)	(28,032)	(16,269)	(19,608)	(11,580)		
-4.5 m (-15 ft.)			19 521	19 521	14 491	12 307	10 645	7794				
			(41,956)	(41,956)	(31,054)	(26,481)	(22,511)	(16,823)				
<i>With 4.0-m (13 ft. 1 in.) arm</i>												
6.0 m (20 ft.)									7015	6409	5727	4442
									(15,348)	(13,734)	(11,021)	(9,453)
4.5 m (15 ft.)									7813	6203	7212	4370
									(16,997)	(13,312)	(15,462)	(9,335)
3.0 m (10 ft.)					14 409	13 717	10 708	8612	8838	5923	7070	4234
					(30,952)	(29,563)	(23,138)	(18,543)	(19,174)	(12,721)	(15,160)	(9,058)
1.5 m (5 ft.)					17 673	12 624	12 469	8065	9401	5626	6904	4082
					(38,094)	(27,185)	(26,955)	(17,362)	(20,198)	(12,090)	(14,815)	(8,741)
Ground Line			6735	6735	19 386	12 004	13 195	7669	9133	5386	6766	3955
			(15,416)	(15,416)	(41,927)	(25,812)	(28,331)	(16,500)	(19,623)	(11,573)	(14,526)	(8,476)
-1.5 m (-5 ft.)	6807	6807	10 880	10 880	19 638	11 769	12 949	7458	8974	5244	6692	3887
	(15,227)	(15,227)	(24,662)	(24,662)	(42,536)	(25,286)	(27,797)	(16,037)	(19,285)	(11,269)	(14,381)	(8,342)
-3.0 m (-10 ft.)	11 398	11 398	16 291	16 291	18 694	11 779	12 899	7414	8945	5218		
	(25,572)	(25,572)	(36,941)	(36,941)	(40,455)	(25,307)	(27,693)	(15,947)	(19,236)	(11,226)		
-4.5 m (-15 ft.)	16 873	16 873	23 293	23 293	16 436	11 987	12 165	7536	8817	5356		
	(38,021)	(38,021)	(50,183)	(50,183)	(35,373)	(25,775)	(26,067)	(16,233)	(18,456)	(11,576)		
-6.0 m (-20 ft.)			16 669	16 669	12 038	12 038						
			(35,135)	(35,135)	(25,239)	(25,239)						

ZAXIS 350LC-5

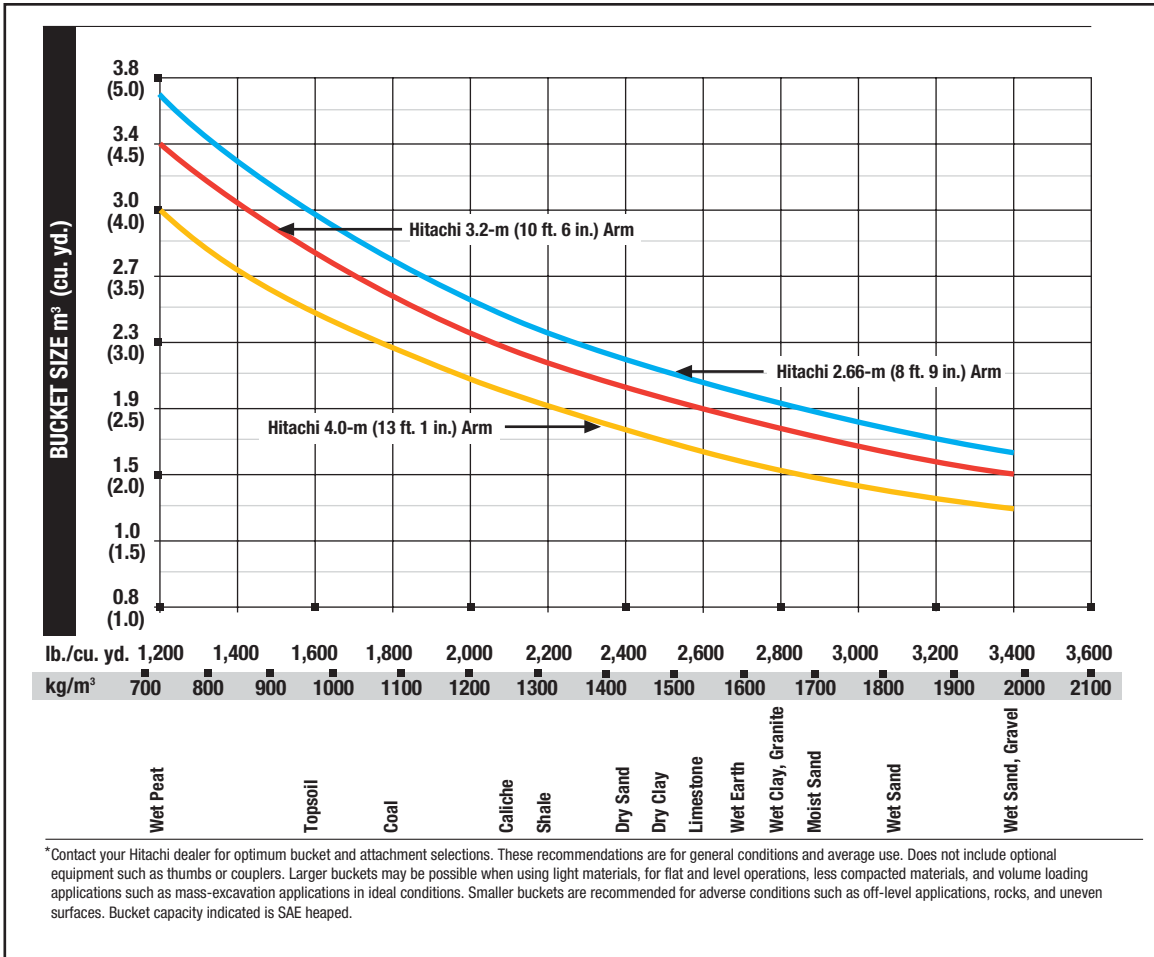
BUCKETS

A full line of buckets is offered to meet a wide variety of applications. Digging forces are with power boost. Buckets are equipped with ESCO teeth standard. Replaceable cutting edges and a variety of teeth are available through Hitachi parts. Optional side cutters add 150 mm (6 in.) to bucket widths. Capacities are SAE heaped ratings.

Type Bucket	Bucket Width		Bucket Capacity		Bucket Weight		Bucket Dig Force		Arm Dig Force 2.66 m (8 ft. 9 in.)		Arm Dig Force 3.2 m (10 ft. 6 in.)		Arm Dig Force 4.0 m (13 ft. 1 in.)		Bucket Tip Radius		Number of Teeth
	mm	in.	m ³	cu. yd.	kg	lb.	kN	lb.	kN	lb.	kN	lb.	kN	lb.	mm	in.	
Heavy Duty	914	36	1.13	1.5	971	2,140	225.2	496	204.2	450	177.6	392	152.6	337	1600	63.0	4
Heavy Duty	1067	42	1.34	1.7	1003	2,212	225.2	496	204.2	450	177.6	392	152.6	337	1600	63.0	5
Heavy Duty	1219	48	1.55	2.0	1055	2,326	225.2	496	204.2	450	177.6	392	152.6	337	1600	63.0	6
Heavy Duty	1372	54	1.76	2.3	1161	2,559	225.2	496	204.2	450	177.6	392	152.6	337	1600	63.0	6
Heavy Duty High Capacity	760	30	0.96	1.3	1142	2,518	204.2	450	196.6	433	171.7	379	148.3	327	1765	69.5	4
Heavy Duty High Capacity	915	36	1.19	1.6	1263	2,783	204.2	450	196.6	433	171.7	379	148.3	327	1765	69.5	4
Heavy Duty High Capacity	1065	42	1.41	1.8	1416	3,123	204.2	450	196.6	433	171.7	379	148.3	327	1765	69.5	5
Heavy Duty High Capacity	1220	48	1.64	2.1	1506	3,321	204.2	450	196.6	433	171.7	379	148.3	327	1765	69.5	6
Heavy Duty High Capacity	1372	54	1.87	2.4	1617	3,565	204.2	450	196.6	433	171.7	379	148.3	327	1765	69.5	6

ZAXIS 350LC-5

BUCKET SELECTION GUIDE*



ZAXIS 350LC-5

ADDITIONAL EQUIPMENT

KEY: ● Standard ▲ Optional or special — See your Hitachi dealer for further information.

ENGINE

- Auto-idle system
- Batteries (2 – 12 volt)
- Coolant recovery tank
- Dual-element dry-type air filter
- Electronic engine control
- Enclosed fan guard (conforms to SAE J1308)
- Engine coolant to –37 deg. C (–34 deg. F)
- Programmable auto shutdown
- Fuel filter with water separator
- Full-flow oil filter
- Turbocharger with charge air cooler
- High-efficiency, low-noise fan
- 500-hour engine-oil-change interval
- 70% (35 deg.) off-level capability
- Severe-duty fuel filter
- ▲ Chrome exhaust stack
- ▲ Engine coolant heater

HYDRAULIC SYSTEM

- Reduced-drift valve for boom down, arm in
- Auxiliary hydraulic valve section
- Spring-applied, hydraulically released automatic swing brake
- Auxiliary hydraulic-flow adjustments through monitor
- Auto power lift
- 5,000-hour hydraulic-oil-change interval
- ▲ Auxiliary hydraulic lines
- ▲ Auxiliary pilot and electric controls
- ▲ Hydraulic filter restriction indicator kit
- ▲ Load-lowering control / Anti-drift device
- ▲ Single-pedal propel control
- ▲ Control pattern change valve

UNDERCARRIAGE

- Planetary drive with axial piston motors
- Propel motor shields
- Spring-applied, hydraulically released automatic propel brake
- Track guides, front idler and 3 additional
- 2-speed propel with automatic shift
- Upper carrier rollers (2)
- Sealed and lubricated track chain

UNDERCARRIAGE (CONTINUED)

- Triple semi-grouser shoes, 800 mm (32 in.)
- ▲ Undercarriage frame opening guard

UPPERSTRUCTURE

- Right-hand, left-hand, and counterweight mirrors
- Vandal locks with ignition key: Cab door / Service doors / Toolbox
- Debris screen
- Remote-mounted engine oil and fuel filters
- ▲ Rear-view camera

FRONT ATTACHMENTS

- Centralized lubrication system
- Dirt seals on all bucket pins
- Less boom and arm
- Oil-impregnated bushings
- Reinforced resin thrust plates
- Tungsten carbide thermal coating on arm-to-bucket joint
- ▲ Arm, 2.66 m (8 ft. 9 in.)
- ▲ Arm, 3.2 m (10 ft. 6 in.)
- ▲ Arm, 4.0 m (13 ft. 1 in.)
- ▲ Attachment quick-couplers
- ▲ Boom cylinder with plumbing to mainframe for less boom and arm
- ▲ Buckets: Heavy duty / Heavy-duty high capacity / Side cutters and teeth
- ▲ “D” channel guard
- ▲ Material clamps
- ▲ Super-long fronts

OPERATOR'S STATION

- Adjustable independent-control positions (levers-to-seat, seat-to-pedals)
- AM/FM radio
- Auto climate control/air conditioner/heater/pressurizer
- Built-in Operator's Manual storage compartment and manual
- Cell-phone power outlet, 12 volt, 60 watt, 5 amp
- Coat hook
- Deluxe suspension cloth seat with 100-mm (4 in.) adjustable armrests
- Floor mat
- Front windshield wiper with intermittent speeds
- Gauges (illuminated): Engine coolant / Fuel
- Horn, electric
- Hourmeter, electric
- Hydraulic shutoff lever, all controls
- Hydraulic warm-up control
- Interior light
- Large cup holder

OPERATOR'S STATION (CONTINUED)

- Machine Information Center (MIC)
- Mode selectors (illuminated): Power modes – 3 / Travel modes – 2 with automatic shift / Work mode – one
- Multifunction, color LCD monitor with: Diagnostic capability / Multiple-language capabilities / Maintenance tracking / Clock / Theft-deterrent system / System monitoring with alarm features: Auto-idle indicator, engine air cleaner restriction indicator light, engine check, engine coolant temperature indicator light with audible alarm, engine oil pressure indicator light with audible alarm, low-alternator-charge indicator light, low-fuel indicator light, fault code alert indicator, fuel-rate display, wiper-mode indicator, work-lights-on indicator, and work-mode indicator
- Motion alarm with cancel switch (conforms to SAE J994)
- Power-boost switch on right console lever
- Auxiliary hydraulic control switches in right console lever
- SAE 2-lever control pattern
- Seat belt, 51 mm (2 in.), retractable
- Tinted glass
- Transparent tinted overhead hatch
- Hot/cold beverage compartment
- ▲ Air-suspension heated seat
- ▲ 24- to 12-volt D.C. radio converters, 10 amp
- ▲ Hydraulic oil filter restriction indicator light
- ▲ Protection screens for cab front, rear, and side
- ▲ Seat belt, 76 mm (3 in.), non-retractable
- ▲ Window vandal-protection covers

ELECTRICAL

- 50-amp alternator
- Blade-type multi-fused circuits
- Positive-terminal battery covers
- ZXLink™ wireless communication system
- ▲ Cab extension wiring harness

LIGHTS

- Work lights: Halogen / One mounted on boom / One mounted on frame
- ▲ 2 lights mounted on cab / One mounted on right side of boom

Net engine power is with standard equipment including air cleaner, exhaust system, alternator, and cooling fan, at test conditions specified per ISO 9249. No derating is required up to 2000-m (6,560 ft.) altitude. Specifications and design subject to change without notice. Wherever applicable, specifications are in accordance with SAE standards. Except where otherwise noted, these specifications are based on a unit with 1370-mm (54 in.) bucket, 800-mm (32 in.) triple semi-grouser shoes, 6928-kg (15,274 lb.) counterweight, full fuel tank, and 79-kg (175 lb.) operator.

HITACHI

Hitachi Construction and Mining Products
1515 5th Avenue • Moline, IL 61265
www.hitachiconstruction.com