

EDITION: 7

ENGINE MODEL NO: 2.5L NA 70 PS BLUE, 80 PS GREEN (CAV INJ PUMP)

DATED: 01-06-11

CUSTOMER: FORD EUROPE

ASSEMBLY NO: 26964

SUPERSEDES:

CUSTOMER PART NO: 894F-9K546-ACA

TEST STAND: ISO 8984

1. CALIBRATION FLUID...SAE J967 / ISO 4113
(Ref. S.B. 201) AT ROOM TEMPERATURE (70°-80° F)
2. CALIBRATION HIGH PRESSURE PIPES...0.063 X 12"
(1.6 X 305 mm)

NOTE: Reference Pencil Nozzle Service Manual 99002 and S.B. 425 for additional service information.

INJECTOR SETTINGS

1. OPENING PRESSURE SETTINGS:

	<u>SET</u>	<u>CHECK</u>
** NEW	4050 ± 50 PSI (280 ± 3.4 bar)	4000 PSI MIN. (275 bar)
SERVICE	3850 ± 50 PSI (266 ± 3.4 bar)	3500 PSI MIN. (241 bar)

2. VALVE LIFT: TURN 11/16 ± 1/16 .0123 (0.31mm) NOMINAL
3. SPRAY ORIFICE SIZE: .0080 (0.20mm)
4. SPRAY ORIFICE NUMBER: 5
5. SAC TYPE: TAPERED MINI
6. RETURN OIL LEAKAGE: 20 DROPS / 30 SECONDS
MAX. AT 1500 PSI (103.5 bar)

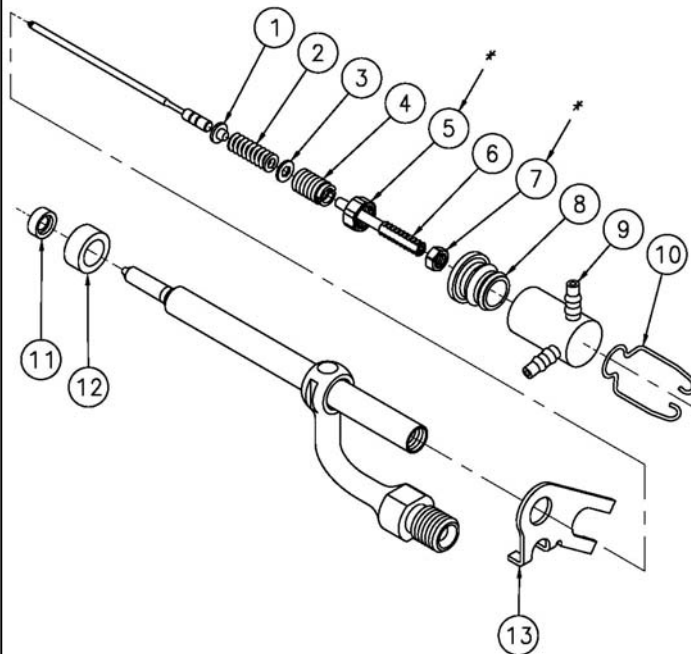
** SETTINGS FOR NEW NOZZLE OR WHEN A NEW PRESSURE ADJUSTING SPRING IS USED.

THE FOLLOWING ITEMS USED IN CONJUNCTION WITH THE NOZZLE ASSEMBLY ARE PURCHASED SEPARATELY:

- A. PROTECTIVE SHIPPING CAPS NO. 26888 & 26891
- B. NOZZLE CLAMP ASSEMBLY NO. 26837
- C. LEAK-OFF CONNECTOR KIT NO. 28539

* ASSEMBLY TORQUE:

24185	70-80 lbf-in (7.9-9.0 N-m)
24186	35-45 lbf-in (4.0-5.1 N-m)



<u>ITEM NO.</u>	<u>PART NO.</u>	<u>QTY REQ.</u>	<u>DESCRIPTION</u>
1	28753	1	SEAT, spring
2	28071	1	SPRING, pressure adjusting
3	20742	1	SHIM, pressure adjusting
4	23705	1	SCREW, pressure adjusting
5	24185 *	1	LOCKNUT, pressure screw
6	39600	1	SCREW, lift adjusting
7	24186 *	1	LOCKNUT, lift screw
8	26838	1	SEAL, leak-off connector
9	26839	1	CONNECTOR, leak-off
10	28469	1	CLIP, leak-off connector
11	26624	1	SEAL, combustion
12	26959	1	SEAL, dust / water
13	26618	1	PLATE, injector locating

FOR ENGINEERING USE ONLY

<u>DATE</u>	<u>ECN NO.</u>	<u>EDITION</u>
07-11-88	18213	1
04-18-94	21544	2
09-09-99	25777	3
02-09-04	28522	4
08-26-04	28877	5
02-06-08	568-M	6
01-06-11	32530	7